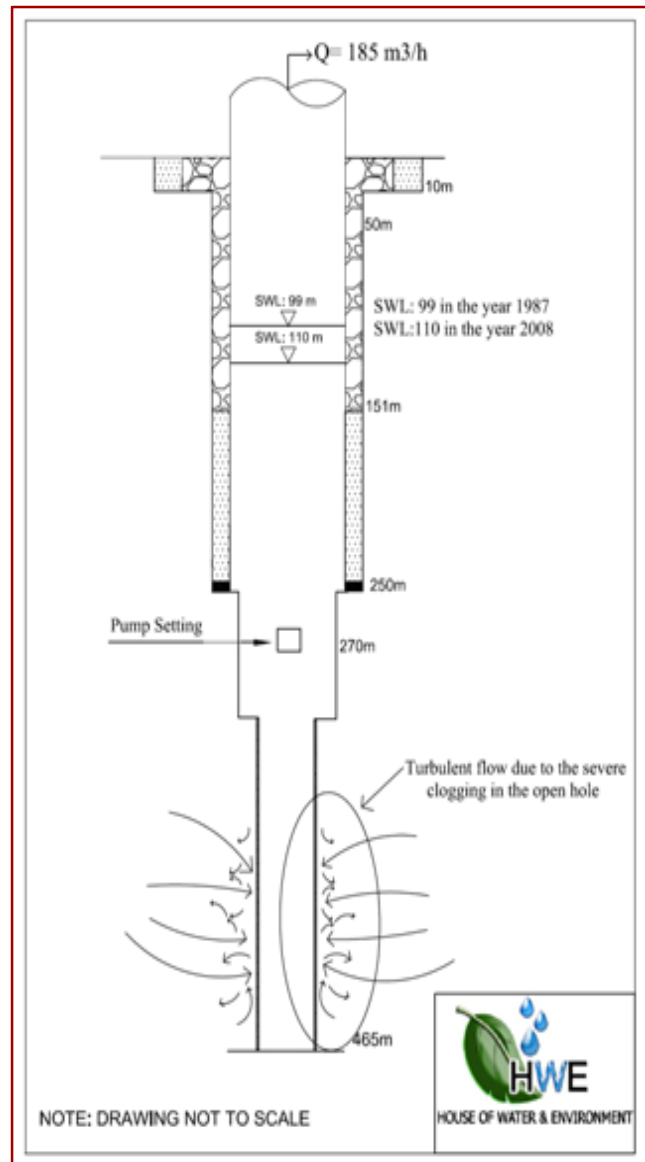


AlFar'a Well Rehabilitation Report

*Al-Far'a Well
(Badan #2 well)
ID: 18-18/032*



This project is funded by Nablus Municipality, Palestine.



This document is not available online

For further information please [contact us](#)